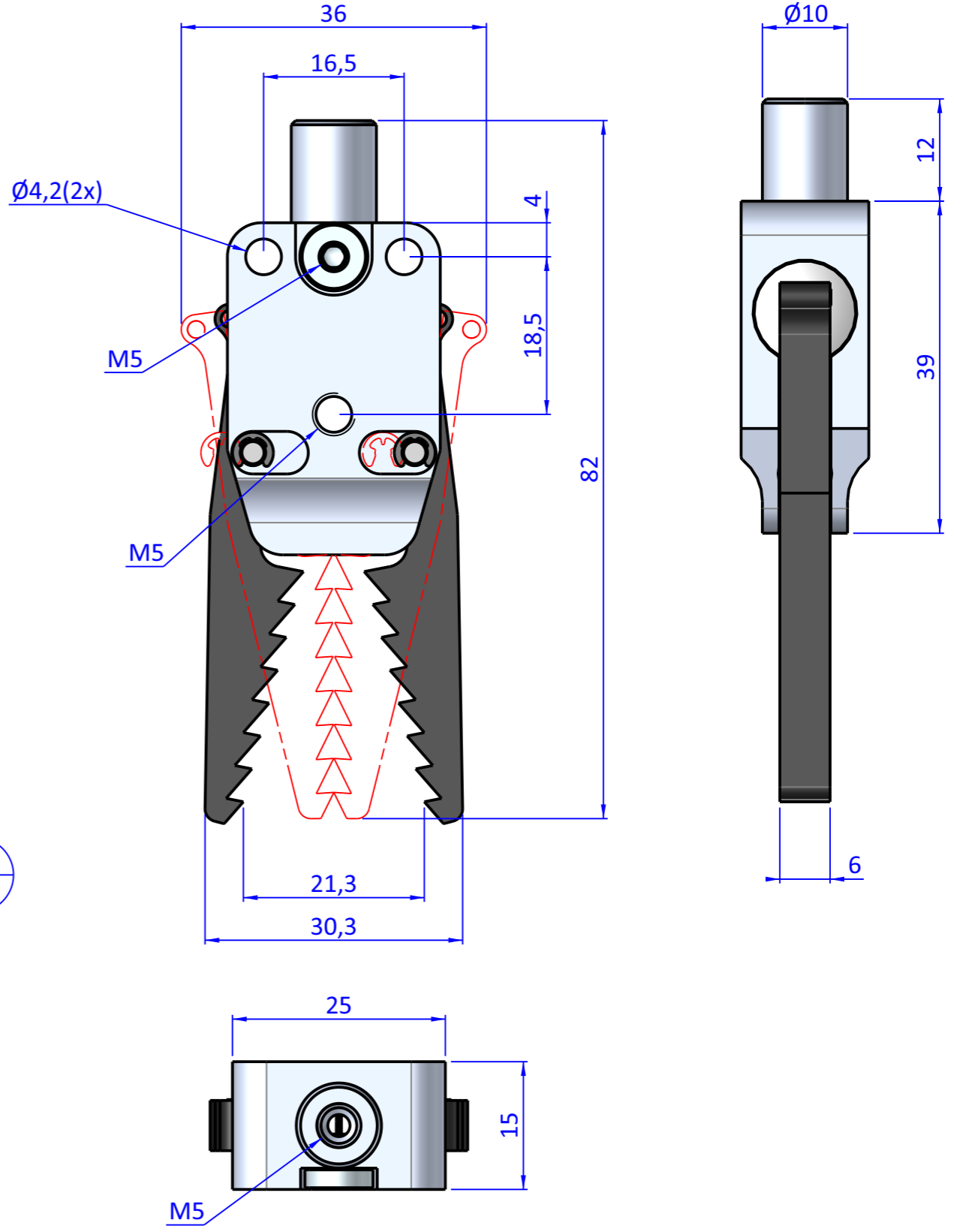
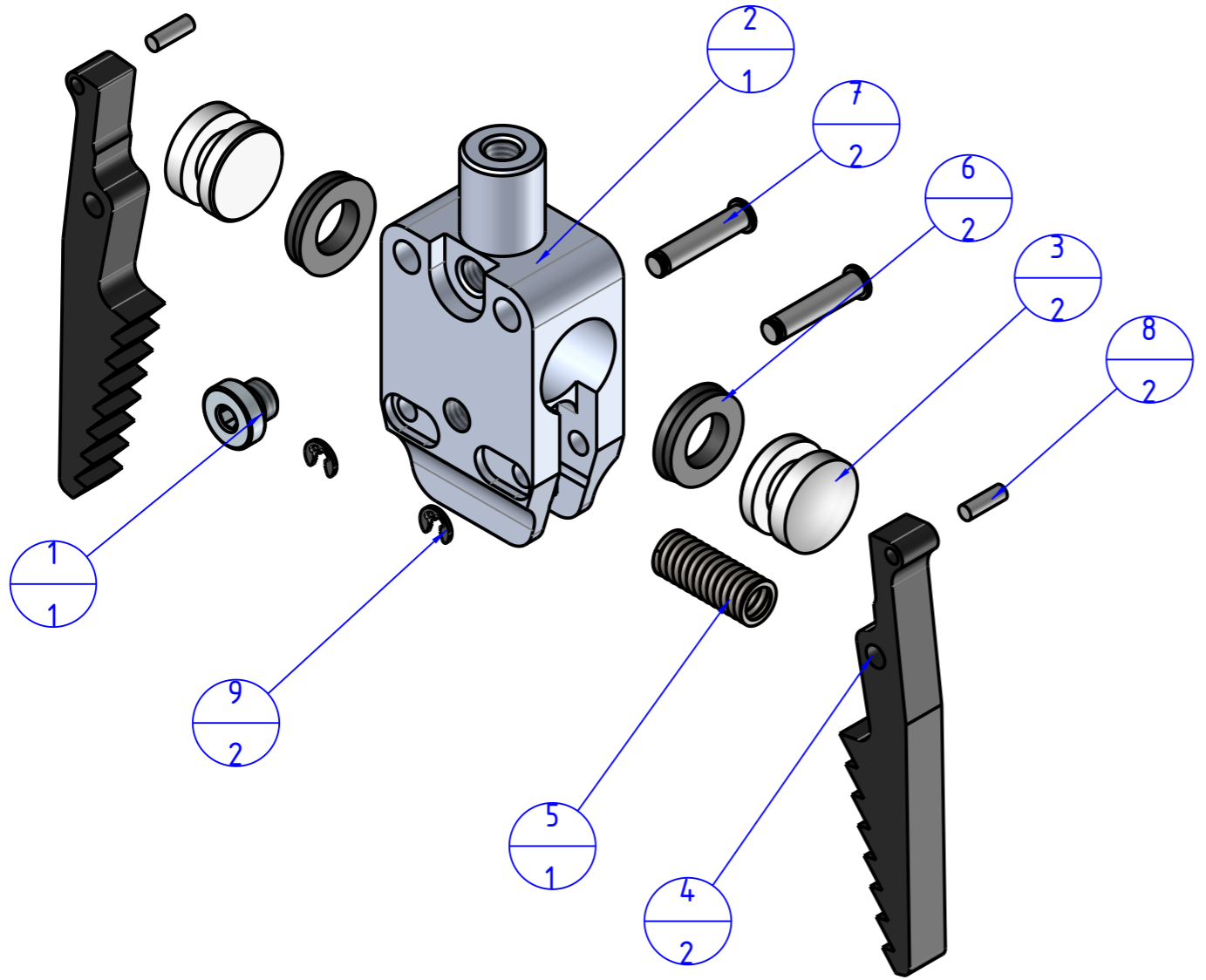



THE PROPERTY OF THE DRAWING IS ESTABLISHED BY LAW. IT IS FORBIDDEN TO PRODUCE OR SHOW IT TO THIRD PART. WITHOUT A WRITTEN AGREEMENT.

| Item | Name | Q.ty |
|------|------------------|------|
| 1 | CA.08.14.013 | 1 |
| 2 | GZA.10.12.1.L.01 | 1 |
| 3 | GZA.10.12.2 | 2 |
| 4 | GZA.10.12.19 | 2 |
| 5 | M.6x25.SH | 1 |
| 6 | PSP.1269255 | 2 |
| 7 | SP.3x15SS | 2 |
| 8 | GZA.10.12.9 | 2 |
| 9 | A.ELA.RA1.9 | 2 |



Format A3
UNI 936-76

| | | | | |
|--|--|----------------|-----------------|--------|
|  FPS SERVICES AUTOMATION | | DESIGNED FROM | | REVIEW |
| | | FPS Automation | | A |
| GENERAL TOLERANCE | | DATE | WEIGHT | |
| UNI - ISO 2768 | | 14/07/2023 | 0,038kg | |
| CLASSE f | | CODE | CA.GZA.10.12.19 | |
| | | DESCRIPTION | CA.GZA.10.12.19 | |